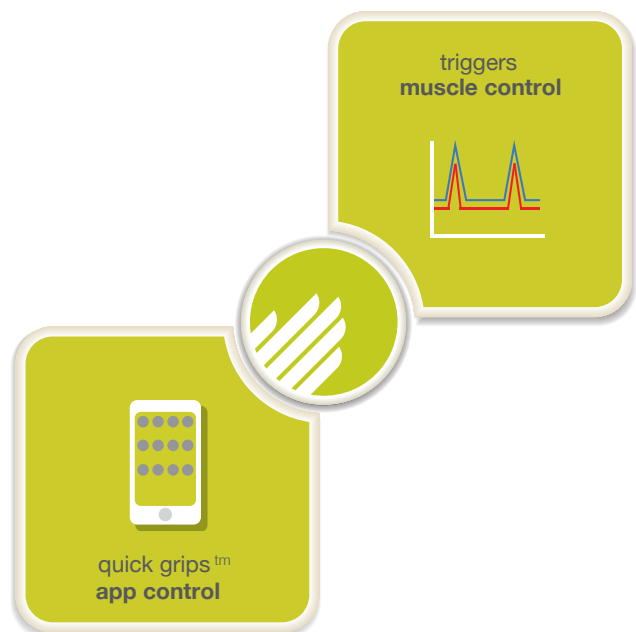




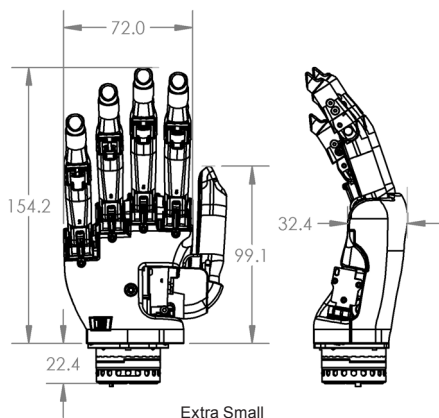
## i-limb™ ultra

An externally powered, multi-articulating prosthetic hand with five individually powered digits and manually rotatable thumb.

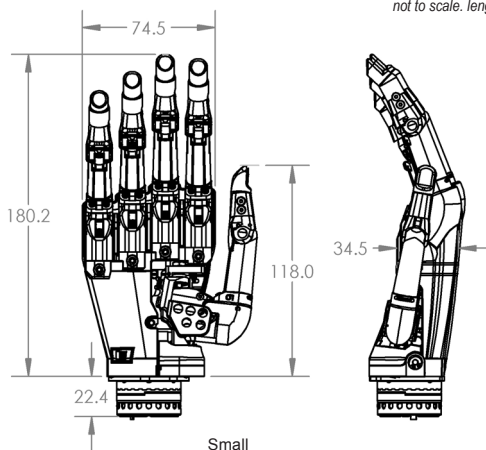
- Individually motorized digits with compliant grip and stall-out ability.
- Manually rotatable thumb that can easily switch between lateral and oppositional mode for creating different grip positions.
- **app control** provides instant access to *quick grips*™ at the touch of an icon. Also compatible with Apple Watch.
- **muscle control** uses specific muscle signals called *triggers* to instruct the hand to activate a specific grip.
- 14 different grip options available.
- **Vari-grip** feature for enhanced grip strength.
- **Auto-grasp** - anti drop safety feature for added reassurance.
- Available in 4 Sizes - extra small, small, medium and large.
- Multiple covering options available to suit individual lifestyles.



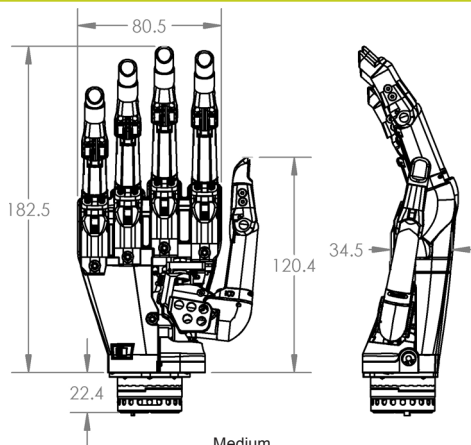
not to scale. lengths in mm



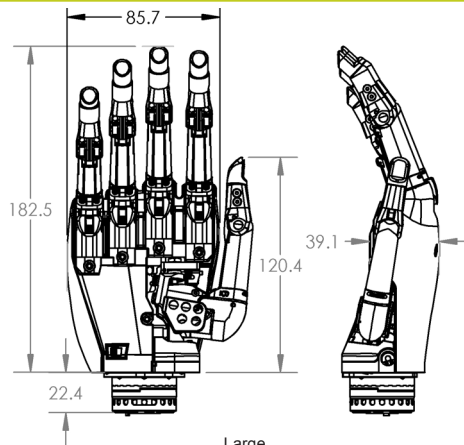
Extra Small



Small



Medium



Large

**Technical Information**

Voltage	7.4 V (nominal)				
Max. Current	5 A				
Battery Capacity	Rechargeable lithium polymer; 7.4 V (nominal); 2000mAh capacity 1300 mAh capacity				
Max hand load limit (static limit)	40kg/88lb (Extra Small) 90kg/198lb (Small/Medium/Large)				
Finger carry load (static limit)	20kg/44lbs (Extra Small) 32kg/71lbs (Small/Medium/Large)				
Time from open position to full power grip	1.2 seconds				
Device Weight		Extra Small	Small	Medium/Large	
	QWD	414g/0.91lbs	464g/1lb	476g/1.05lbs	
	WD	378g/0.83lbs	427g/0.94lbs	439g/0.97lbs	
	Flexion Wrist	521g/1.15lbs	571g/1.26lbs	583g/1.29lbs	
		Friction Wrist	409g/0.90lbs	459g/1.01lbs	471g/1.04lbs

Product Number	Description	Product Number	Description	Product Number	Description
PL528000	QWD, Large, RH	PL532000	Wrist Disarticulation, Large, RH	PL530000	Flexion Wrist, Large, RH
PL529000	QWD, Large, LH	PL533000	Wrist Disarticulation, Large, LH	PL531000	Flexion Wrist, Large, LH
PL194000	QWD, Medium, RH	PL202000	Wrist Disarticulation, Medium, RH	PL210001	Flexion Wrist, Medium, RH
PL195000	QWD, Medium, LH	PL203000	Wrist Disarticulation, Medium, LH	PL211001	Flexion Wrist, Medium, LH
PL196000	QWD, Small, RH	PL204000	Wrist Disarticulation, Small, RH	PL212001	Flexion Wrist, Small, RH
PL197000	QWD, Small, LH	PL205000	Wrist Disarticulation, Small, LH	PL213001	Flexion Wrist, Small, LH
PL197001	QWD, Extra Small, RH	PL197005	Wrist Disarticulation, Extra Small, RH	PL197003	Flexion Wrist, Extra Small, RH
PL197002	QWD, Extra Small, LH	PL197006	Wrist Disarticulation, Extra Small, LH	PL197004	Flexion Wrist, Extra Small, LH

North American Customers (US, Canada & Mexico):  
+1 855 MY iLIMB (694 5462)

International Customers:  
+44 1506 438 556

European Customers:  
+49 6221 357 9060

info@touchbionics.com  
www.touchbionics.com